

AMA-7421AX (Pedestal Mount)

Pedestal Mount 21.5 inch Resistive Touch Screen
Operator Workstation

Features

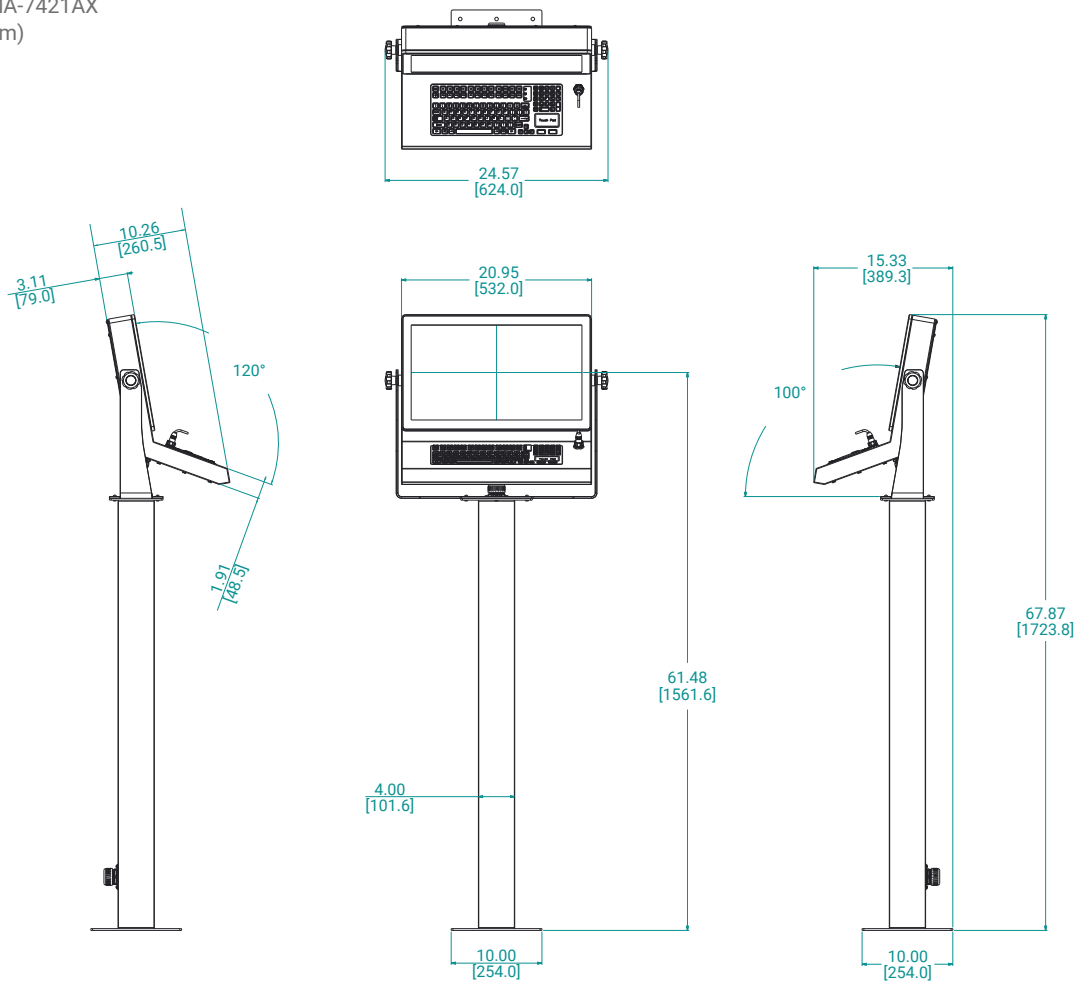
- 21.5" LCD, 1920 x 1080 Resolution
- Projected Capacitive Touch Screen
- Intel Celeron J1900 @ 1.99GHz / Atom E3845 @ 1.91GHz CPU; Intel i7-6600U CPU
- Up to 8GB DDR3 / Up to 16GB DDR4 SO-DIMM
- Stainless Steel Fully Closed Enclosure
- Meets NEMA 4X / IP66 Protection Requirements
- Stainless Steel Pedestal Included
- Waterproof Keyboard and Pointing Device
- Three Keyboard Options
- ThinManager Ready Version Available
- Cables for 24V DC Input and Gigabit Ethernet (RJ45)

Specifications

Model Name	AMA-7421AX	
	E01	H01
LCD Display		
Display Size (Diagonal)	21.5 inch	21.5 inch
Max Resolution	1920 x 1080	1920 x 1080
Backlight Lifetime (Hours)	50,000 hours	50,000 hours
Visual Characteristics		
Colors	16.7 million	16.7 million
Aspect Ratio	16:9	16:9
Viewing Angle (V/H)	178° / 178°	178° / 178°
Contrast Ratio	1000:1	1000:1
Brightness	250 nits	250 nits
Touch Screen		
Technology	Projected Capacitive	Projected Capacitive
Interface	USB	USB
Driver	Windows 7, Windows 10	Windows 10
System		
CPU	Intel Celeron J1900 @ 1.99GHz / Atom E3845 @ 1.91GHz CPU	Intel i7-6600U CPU
Chipset	Bay Trail	Skylake
Memory	Up to 8GB DDR3 SO-DIMM	Up to 16GB DDR4 SO-DIMM
Video Controller	Intel Gen7 Intel Graphics DX 11, OGL3.2	Intel HD Graphics 520
External Video Output	N/A	N/A
Storage Option	2.5" SSD	2.5" SSD
CFast	Optional	Optional
Keyboard	Membrane or Silicon Rubber Keyboard	Membrane or Silicon Rubber Keyboard
Mouse	Pointing Device or Touch Pad	Pointing Device or Touch Pad
Audio	N/A	N/A
Watchdog Timer	Programmable 1 - 255 sec	Programmable 1 - 255 sec
Remote Boot	ThinManager Ready, PXE	N/A
Expansion Slot	N/A	N/A
I/O Communication		
USB Port	1 x USB 2.0	1 x USB 2.0
Serial Port	N/A	N/A
IEEE 1394	N/A	N/A
LAN	1 x Gigabit	1 x Gigabit
Parallel	N/A	N/A
GPIO	N/A	N/A
OS Support		
OS Support	Windows 7, Windows 10	Windows 10
Power/Thermal Specs		
Power Requirement (Max)	24VDC / 1.80A	24VDC / 2.40A
Power Consumption (Average)	43W	56W
Recommended Power Supply	62 W	80 W
Heat Dissipation (Average)	147 BTU/hr	192 BTU/hr
Physical Information		
Mounting	Pedestal Mount	Pedestal Mount
Net Weight	20 Lbs/9.07 kg	20 Lbs/9.07 kg
Dimension (W x H x D)	24.57 x 59.69 x 13.58 inch 624 x 1516.3 x 344.89 mm	24.57 x 59.69 x 13.58 inch 624 x 1516.3 x 344.89 mm
IP/MENA Rating	Meets NEMA 4X / IP65	Meets NEMA 4X / IP65
Certification	N/A	N/A
Environmental		
Operation Temperature	0-35°C (32-95°F)	0-35°C (32-95°F)
Storage Temperature	-20-60°C (-4-140°F)	-20-60°C (-4-140°F)
Relative Humidity	0~95%	0~95%

Dimension Drawing

Model Name: AMA-7421AX
Size Unit: inch(mm)



Ordering Information

Item	AMA-7421AX E01-006-000A	AMA-7421AX E01-006-000C
LCD Display	21.5" LCD / 1920 x 1080	21.5" LCD / 1920 x 1080
Touch Screen	Projected Capacitive	Projected Capacitive
Enclosure	316L Stainless Steel	316L Stainless Steel
CPU	Intel Celeron J1900 @ 1.99GHz / Atom E3845 @ 1.91GHz CPU	Intel Celeron J1900 @ 1.99GHz / Atom E3845 @ 1.91GHz CPU
Memory	4GB DDR3	4GB DDR3
Storage	N/A	N/A
Keyboard Option	KB-115A-AX	KB-115C-AX
Remote Boot	ThinManager Ready	ThinManager Ready
Operating System	N/A	N/A
Operating Voltage	24VDC	24VDC

Item	AMA-7421AX-H01-034-700A	AMA-7421AX-H01-034-700C
LCD Display	21.5" LCD / 1920 x 1080	21.5" LCD / 1920 x 1080
Touch Screen	Projected Capacitive	Projected Capacitive
Enclosure	316L Stainless Steel	316L Stainless Steel
CPU	2.6/3.4 GHz i7 6600U	2.6/3.4 GHz i7 6600U
Memory	16GB DDR4	16GB DDR4
Storage	2.5" SATA SSD	2.5" SATA SSD
Keyboard Option	KB-115A-AX	KB-115C-AX
Remote Boot	N/A	N/A
Operating System	Optional	Optional
Operating Voltage	24VDC	24VDC